

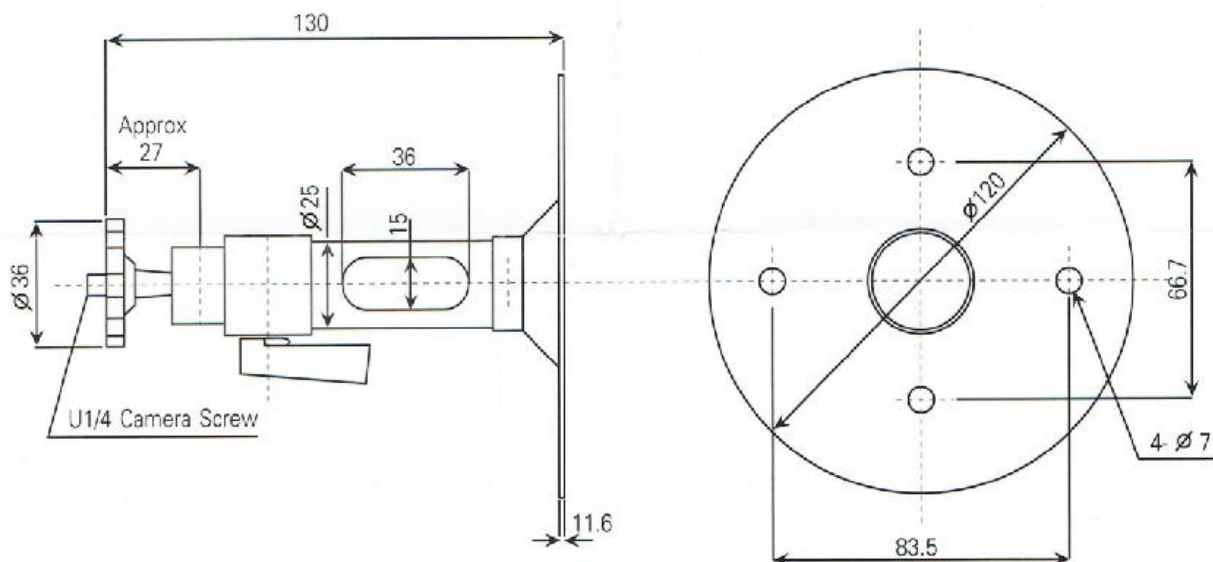
## ◆ Specifications

Hollow pipe construction allows concealed wiring. Range of designs to suit different interiors.

# WA-VCT31A

## Features

Short type for installation close to ceiling or wall surface. Pipe houses wiring. Very simple angle adjustment.



**Applications:** Wall/ceiling use.  
No extension.

**Main materials:** Steel plate,  
aluminum alloy

**Max. angles:** +90° to -20°, 360° turn

**Max. load:** 4kg

**Net weight:** 0.24kg

**Appearance:** Silver paint

**Construction:** Main unit (1)

Suitable for CCTV cameras,

housing: VCH-9, VCH-9T, VCHO-9H